

## DESCRIPTION

- Various finishes identified by suffix
- Handheld shower
- Assembled with two check valves for back flow prevention

## OPERATION

- 5-function: Full spray, relaxing massage, massage, rinse and downpour: rotate outer ring to select

## FLOW

- Flow is limited to 1.75 gpm (6.6 L/min) max

## STANDARDS

- Designed and manufactured to comply with the applicable requirements of: WaterSense®, ASME A112.18.1/CSA B-125.1 and ASSE 1014 and all applicable specifications referenced therein

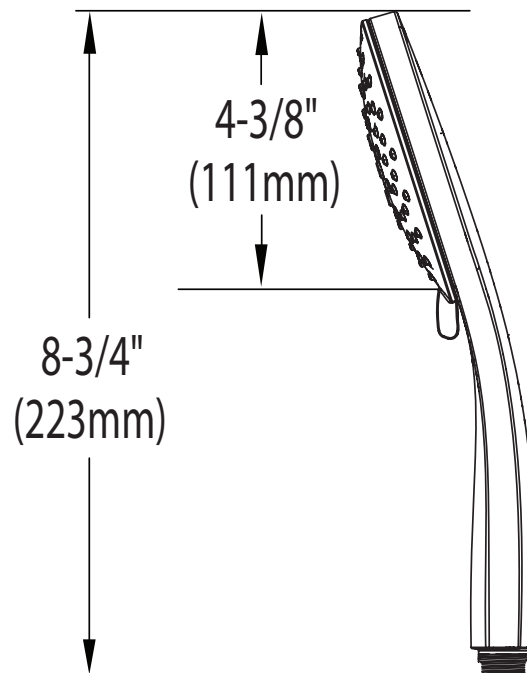
## WARRANTY

- Lifetime limited warranty against leaks, drips and finish defects to the original homeowner
  - 10 year limited warranty when used in a multifamily installation
  - 5 year limited warranty when used in a commercial installation
- Visit [www.moen.com/support](http://www.moen.com/support) for complete details and limitations



## 5-Function Eco-Performance Handshower

Model: 189315 series



## CRITICAL DIMENSIONS

(DO NOT SCALE)